

6.1 Softstarter

CTC3425

3 phase | 400 V | 25 A | Starting Torque Limiter

Main circuit

Number of outputs	3
Controlled phases	1
Output type	⚡ Thyristor
Rated voltage	400 V
Output voltage range	208 ... 400 V AC
Reverse voltage	1200 V _{rrm}
Peak reverse voltage	1300 V _{rrm}
Rated current AC-53a	25 A
Minimum load	50 mA
Leakage current	5 mA
Rated limit load	6300 A ² t
Switching frequency (cycles / h)	3000

Control circuit

Release time	1 Periode
Ramp-up time	0.5 ... 5 s
Torque adjustment	0 ... 85 %
Rated frequency	50 / 60 Hz

Insulation

Rated insulation voltage	660 V
Rated impulse withstand voltage open contact	4 kV / 1 min
Pollution degree	3
Overvoltage category	III

General data

Ambient temperature storage (no ice)	-20 ... 80 °C
Ambient temperature operation	-5 ... 40 °C
Ambient temperature operation derated power	-5 ... 60 °C, 0.7 I _N
Conductor cross section control / main circuit	1.5 mm ² / 4 mm ²
Nominal screw torque control / main circuit	0.5 Nm / 1.2 Nm
Dimension	fig. 2
Weight	650 g
Protection degree	IP 20
Housing material	PPO
Mounting	TS 35 or Back Panel Mounting

Product references

Description	Type
Starting Torque Limiter, 3 phase	CTC3425

Other devices on request. Please contact support@comatreleco.com.

Accessories

Thermal overload protection	P82-100C
-----------------------------	----------



fig. 1. Wiring diagram

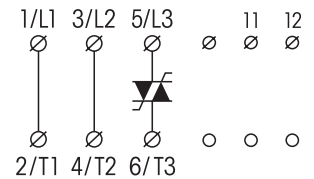
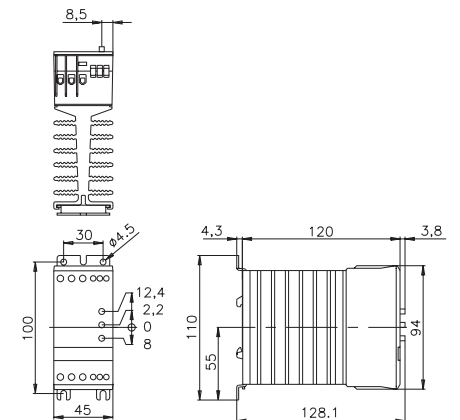


fig. 2. Dimension (mm)



Technical approvals, conformities

Standards IEC/EN 60947-2

Approvals